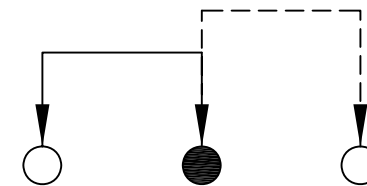
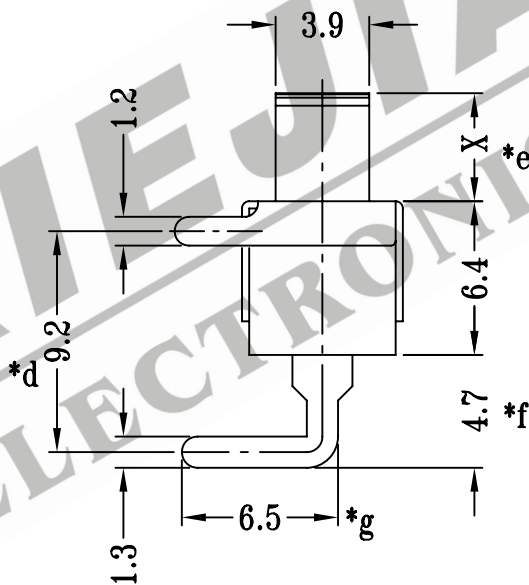
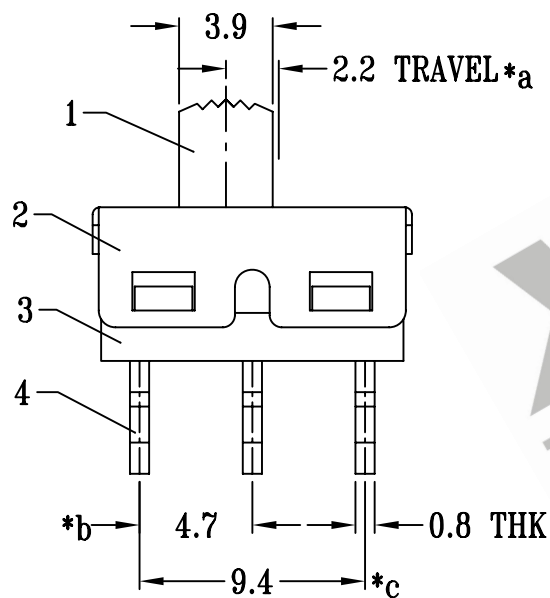
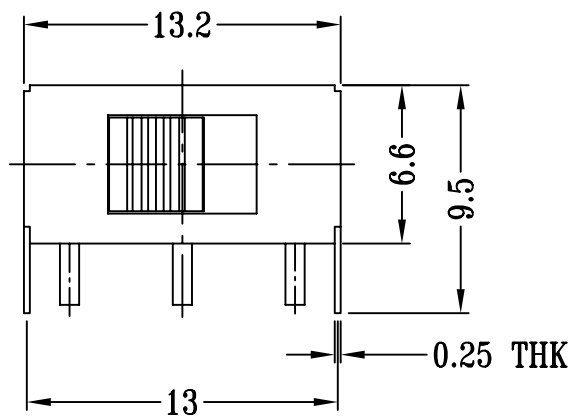
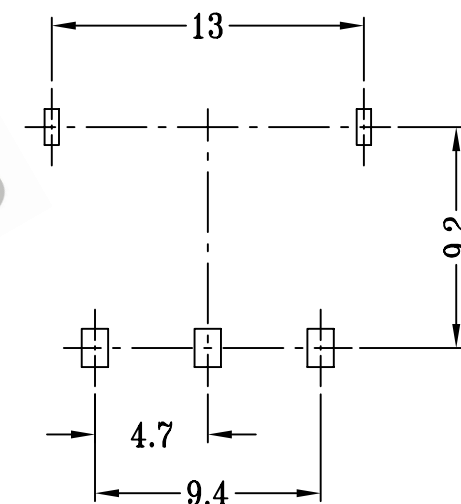


CAD FILE:



SCHEMATIC (NON-SHORTING)



P.C.B LAYOUT

注:带"*"表示关键尺寸(7个)

				TOLERANCE UNLESS SPECIFIED		SHENZHEN XIEJIA ELECTRONICS CO.,LTD.							
				WITHIN: 1.5±0.1mm		ISSUE		DATE		DESCRIPTIONS OF REVISION		APPD.	
				OVER: 1.5±0.2mm									
8						TITLE : VERTICAL SLIDE SWITCH				UNIT : mm		DRWG NO.: XJ-DR-SS12D11-00	
7	PRESS BAR	NYLON+F.G	1	BLACK	MODEL: SS-12D11				SCALE: 3:1		DWN.	ZHOUYU	2002-7-9
6	CONTACT	COPPER STRIP	1	Ag PLATED	ALL MATERIALS MUST BE COMPLIANT TO ROHS				CHK'D	FANGYING	2002-7-9		
5	SPRING	STEEL WIRE	1	TEMPER					APPD.	KANGXINAN	2002-7-9		
4	TERMINAL	BRASS STRIP	3	Ag PLATED OVER Ni PLATED									
3	CASE	NYLON+F.G	1	BLACK									
2	COVER	STAINLESS STEEL	1	NATURAL									
1	KNOB	NYLON+F.G	1	BLACK/RED									
NO.	PARTS	MATERIALS	Q'TY	FINISH									